

**Element Type:**

Pressure Gradient Transducer

**Polar Pattern:**

Cardioid (unidirectional)

**Front-to-back Rejection:**

20 dB

**Rated Output Impedance:**

200 Ohms

**Recommended Load Impedance:**

1000 Ohms

**Frequency Response:**

30 – 20,000 Hz

**Sensitivity:**

16 mV/pascal at 1 kHz, 1k Ohm load

**Self Noise (Equivalent SPL):**

18 dB SPL typical, A-weighted  
(per IEC 651)

**Maximum SPL for 0.5% THD:**

140 dB at 1 kHz

**Power Requirements:**

48 Volts

**Current Consumption:**

2.7 mA

**Connector:**

3-pin XLR

**Polarity:**

Positive pressure on diaphragm produces positive voltage at pin 2 relative to pin 3

**Dimensions:**

2.280 inches (57.91 mm) maximum body diameter, 7.80 inches (198.12 mm) long

**Packaging:**

Compact carrying case

**Net Weight:**

1.2 pounds (545 grams)

**Optional Accessory:**

Studio Pro Shock Mount

**Features**

- Large gold-plated microphone diaphragm
- Pressure-gradient transducer
- Switchable low frequency roll-off
- Switchable 10 dB pre-attenuation
- Ideal as main and as support microphone in most recording situations

**Application Hints**

- Announcer's studio, vocal, and instrument mic for broadcasting, dubbing, voice-over
- Overhead
- Spot mic for
  - wind instruments
  - strings
  - piano
  - percussion

**Description**

The Studio Pro M1 is a large format side-address condenser microphone with a unique frequency and transient response. Users will recognize the quality of the microphone immediately by its distinctive studio sound. It is an excellent choice for most applications in studios, for broadcasting, film and television.



# SPECIFICATIONS

# Studio Pro™ M1

The Studio Pro M1 can be used as a main microphone for orchestra recordings, as a spot mic for single instruments, and as a vocal microphone for all types of music and speech.

The frequency response of the cardioid characteristic is very flat for frontal sound incidence, even in the upper frequency range. The microphone can be used very close to a sound source without the sound becoming unnaturally harsh. By means of a switchable high-pass filter, interference through subsonic and low frequencies are reduced remarkably. As such, this switch cuts the low frequency response reducing the proximity effect.

An additional switch is added for use in high sound pressure level applications. This 10 dB attenuation switch enables the microphone to handle sound pressure levels up to 140 dB.

### Operation

Position the microphone so that the side with the LED and Peavey logo faces the source. The M1 is equipped with two switches, one for high SPL applications and the other for reduction in proximity effect or to reduce low frequencies that can make an instrument sound dull or muddy. The M1 is equipped with a swivel mount to secure the microphone to a floor or boom stand. The internal shock mount provides good isolation, but for greater reduction of noise from external vibrations use the optional elastic shock mount which can be purchased from your local authorized Peavey dealer.

### 3 + 2 YEAR LIMITED WARRANTY

**NOTE:** For details, refer to the warranty statement. Copies of this statement may be obtained by contacting Peavey Electronics Corporation, P.O. Box 2898, Meridian, Mississippi 39301-2898.

## Amplitude Response

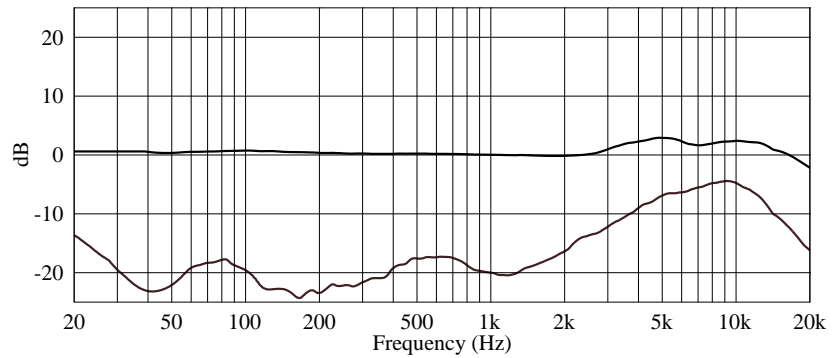


Figure 1. Frequency Response Studio Pro M1 Front to Back

## Amplitude Response

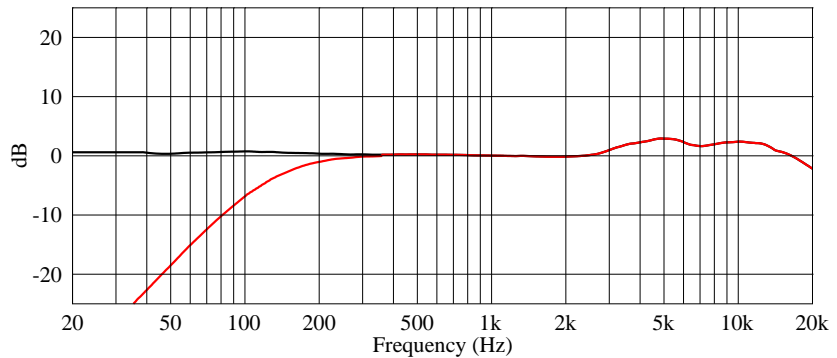


Figure 2. Frequency Response Studio Pro M1 On-axis and Low cut

## Amplitude Response

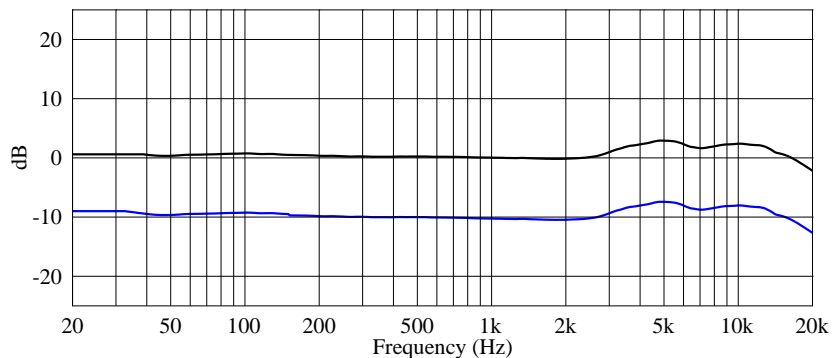
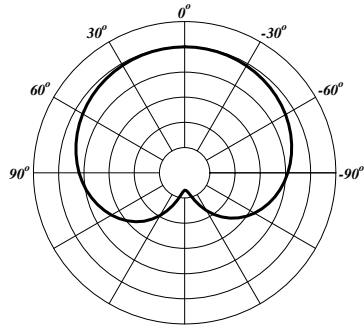


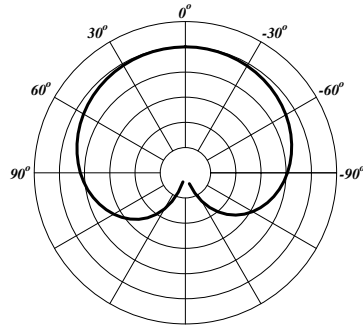
Figure 3. Frequency Response Studio Pro M1 On-axis and -10 dB Pad

# SPECIFICATIONS

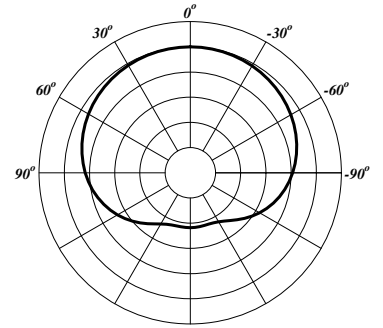
# Studio Pro™ M1



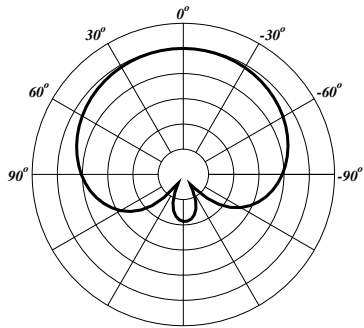
**125 Hz**



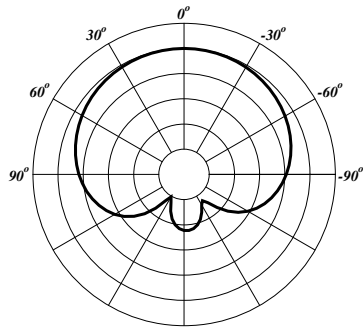
**250 Hz**



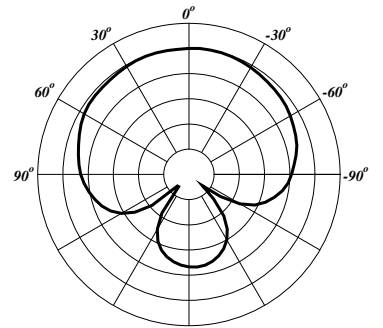
**500 Hz**



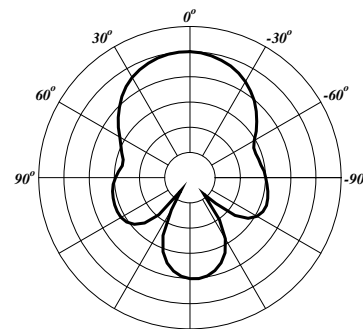
**1 kHz**



**2.5 kHz**



**5 kHz**



**10 kHz**

Features and specifications subject to change without notice.

Peavey Electronics Corporation • 711 A Street • Meridian • MS • 39301 (601) 483-5365 • FAX (601) 486-1278 • [www.peavey.com](http://www.peavey.com)  
©2001



*LISTEN TO THIS™*