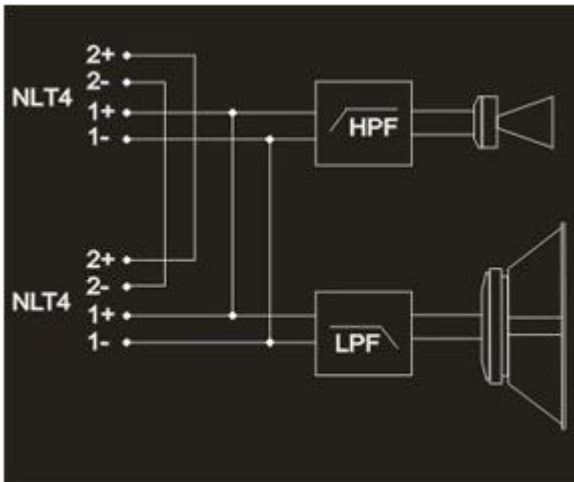
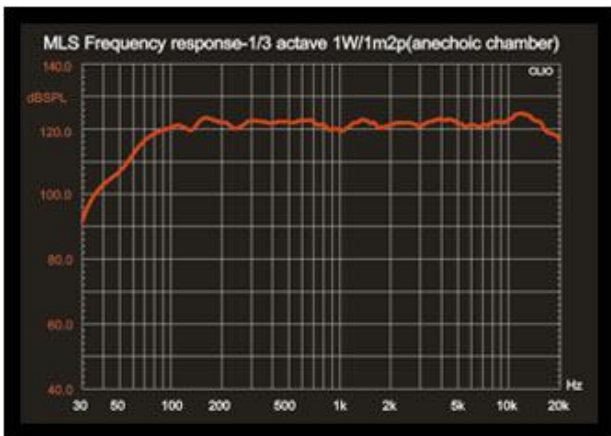


PF10+

Wiring



Frequency Response



Drawing

