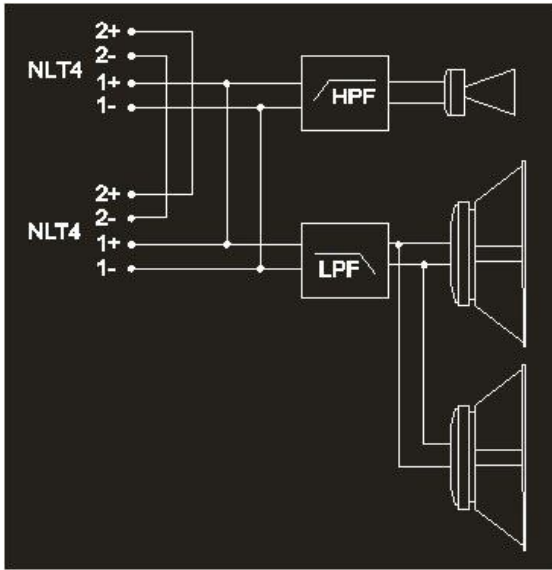
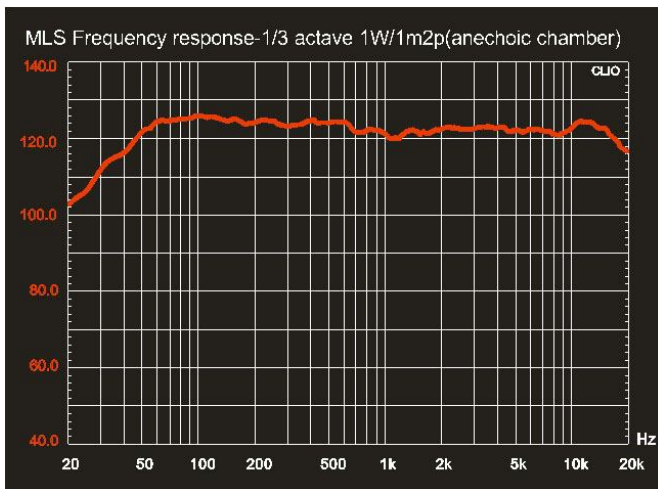


# PF26<sup>+</sup>

## Wiring



## Frequency Response



## Drawing

