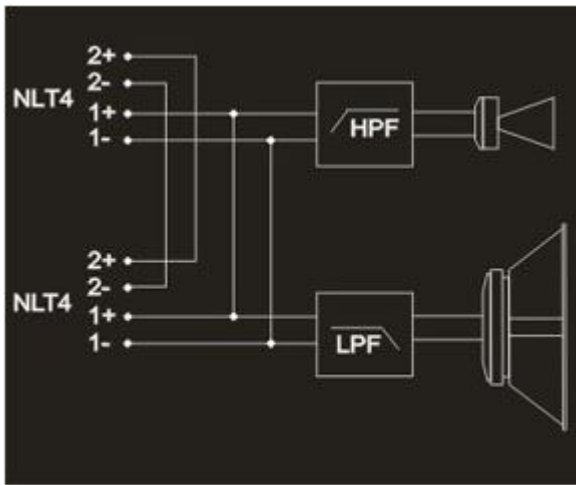
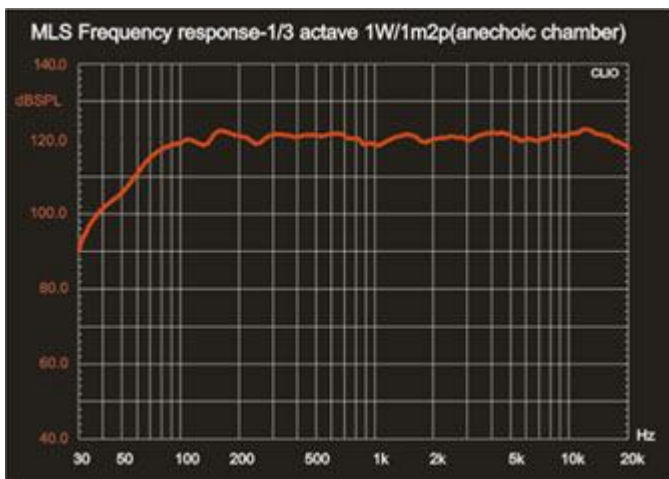


# PF8+

## Wiring



## Frequency Response



## Drawing

